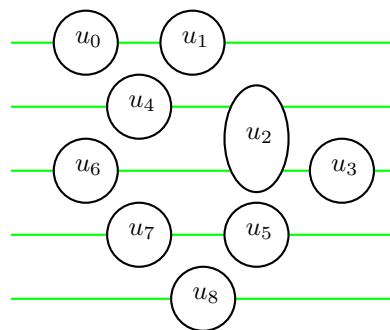
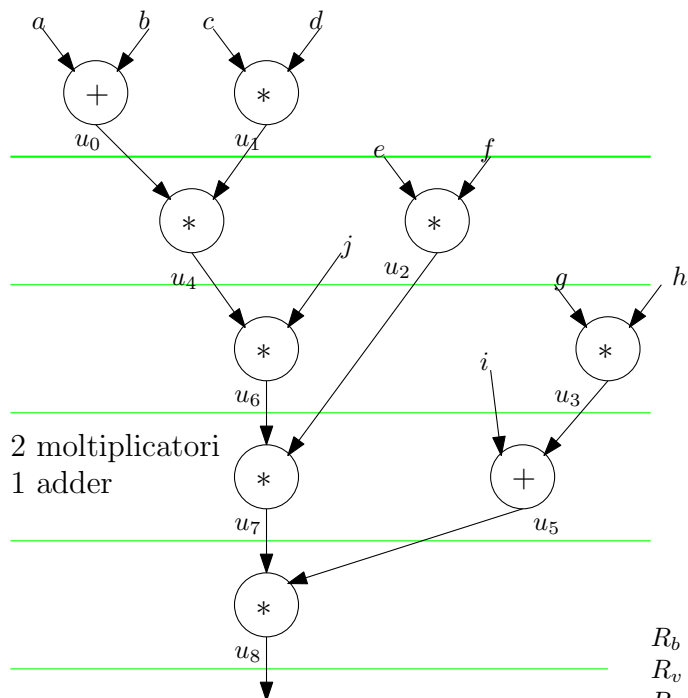


scheduling ottimizzato



$$R_b = \{u_0, u_2, u_5\}$$

$$R_v = \{u_1, u_6, u_7\}$$

$$R_r = \{u_3, u_4, u_8\}$$

